

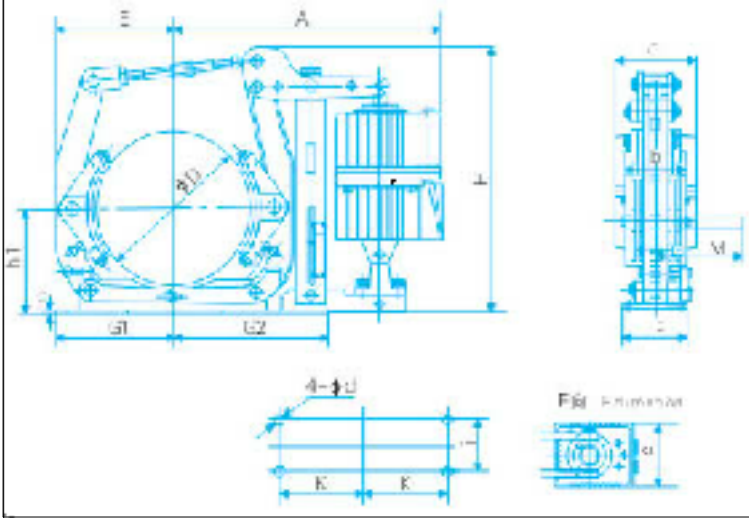
ENDÜSTRİ MAKİNELERİ İMALAT ve TİCARET ANONİM ŞİRKETİ



EMİTAŞ

Çavuşoğlu Mah. Yalnız selvi Cad. No:17 (34873) KARTAL-İSTANBUL
Vergi Dairesi : Anadolu Kurumlar Vergi No : 3340025942
İnternet (Web) : www.emitas.com.tr e-mail: info@emitas.com.tr
Tel : (0 216) 353 46 49 / 387 10 96 Faks: (0 216) 353 75 42

İTHAL ÜRÜN MEKANİK FREN VE AÇICILARI



Genel Ölçüler



Genel Görünüm

ÖLÇÜLER VE TEKNİK DETAYLAR

TİP		FREN MOMENTİ (N.m)	ÖLÇÜLER																AĞIRLIK (Takribi) Kg.
MEKANİK FREN	FREN AÇICI		A	b	C	D	d	E	F	G1	G2	H	h1	i	K	M	n		
YWZ_200/E23	Ed-23/5	112-224	470	80	160	200	14	167	90	165	265	490	160	55	145	151	10	35	
YWZ_200/E30	Ed-30/5	140-315	470	80	160	200	14	167	90	165	265	490	160	55	145	151	10	38	
YWZ_250/E23	Ed-23/5	140-224	530		160													42	
YWZ_250/E30	Ed-30/5	180-315	530	100	160	250	18	202	100	200	290	583	190	65	180	180	12	45	
YWZ_250/E50	Ed-50/6	315-500	570		195													50	
YWZ_315/E30	Ed-30/5	250-400	590		160													70	
YWZ_315/E50	Ed-50/8	400-630	625	125	195	315	18	252	115	245	330	585	225	80	220	215	15	75	
YWZ_315/E80	Ed-80/6	630-1000	625		195													80	
YWZ_400/E50	Ed-50/6	400-800	710		195							715						95	
YWZ_400/E80	Ed-80/6	630-1250	700	160	240	400	22	310	169	310	420	775	280	100	270	270	275	110	
YWZ_400/E121	Ed-121/6	1000-2000	700		240													125	
YWZ_500/E80	Ed-80/8	800-1250	810		195													175	
YWZ_500/E121	Ed-121/6	1120-2240	800	200	240	500	22	380	180	365	535	840	335	130	325	340	16	190	
YWZ_500/E201	Ed-201/6	2000-3600	800		240													190	
YWZ_630/E121	Ed-121/6	1800-2800																	
YWZ_630/E201	Ed-201/6	2500-4000	925	250	240	630	27	465	220	450	600	1025	425	170	400	425	25	300	
YWZ_630/E301	Ed-301/6	4000-6300																305	
YWZ_710/E201	Ed-201/6	3150-5000																420	
YWZ_710/E301	Ed-301/6	5000-8000	980	280	240	710	27	520	240	500	630	1135	475	190	450	476	36	425	

İthal Ürün JiaoZuo Marka ISO 9001 Kalite Belgeli
1 Yıl İthalatçı Firma Emitaş Garantili